

Straight and Angle

Sizes 2½" - 12"

SUBMITTAL

JOB: _____	REPRESENTATIVE: _____
_____	ORDER NO: _____ DATE: _____
ENGINEER: _____	SUBMITTED BY: _____ DATE: _____
CONTRACTOR: _____	APPROVED BY: _____ DATE: : _____

CBV VALVE SCHEDULE

Tag	Qty	Size	Ansi Flange Rating	Configuration		Insulation(Optional) Check If Required		Pump Description
				Straight	Angled	Straight	Angled	
			125 / 250					
			125 / 250					
			125 / 250					
			125 / 250					
			125 / 250					
			125 / 250					
			125 / 250					
			125 / 250					
			125 / 250					
			125 / 250					
			125 / 250					
			125 / 250					
			125 / 250					
			125 / 250					
			125 / 250					

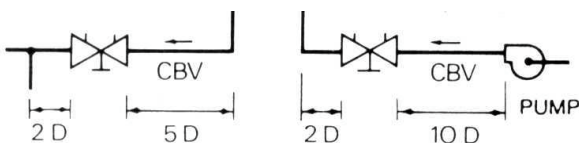
MATERIALS OF CONSTRUCTION

Valve Body	Cast Iron ASTM A48 Class 30B / Ductile Iron ASTM A536 grade 65-42-12
Disc	Bronze (B584-844)
Seat	Ultra - High Strength Engineered Resin
Stem	Brass - ASTM B - 16
Spring	Stainless Steel ASTM A313 Type 302
O-Rings	BUNA (STEM) and EPDM (Body Gasket) ELASTOMERS
Metering Ports (2)	Brass Body with EPDM Check and Gasket Cap
Drain Tapping (2)	¼" NPT with BRASS PLUG
Insulation (Optional)	PVC white Cover with mineral fibreglass insulation which meets or exceeds ASTM D1784 Class 14253-C, MEA #7-87, ASTM E84 and ASTM E136 and flame rating of 25 or less and smoke rating of 50 or less.

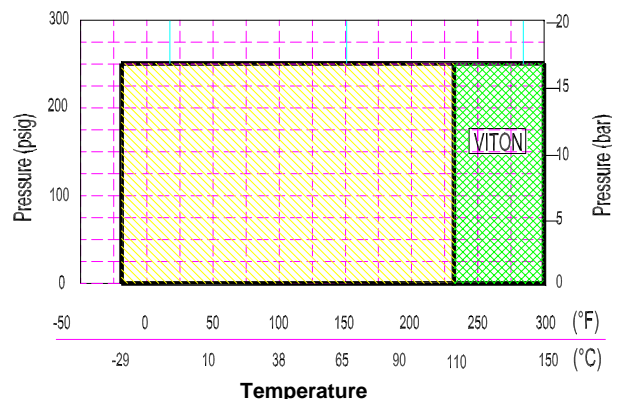
● EPDM not suitable for oil service.

INSTALLATION

Generally locate the valve five pipe diameters downstream from a fitting; with two diameters downstream from the balancing valve free from fittings. If a balancing valve is located downstream from a circulation pump, allow a distance of ten (10) diameters between the pump and balancing valves (as illustrated below). To save space, the valve may be used in the angled configuration as an elbow.

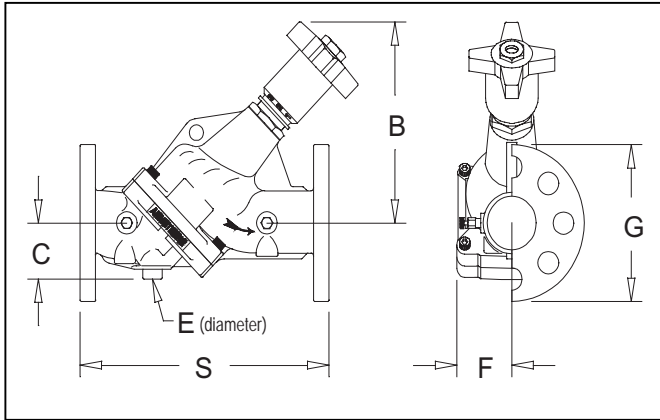


OPERATING PARAMETERS – PRESSURE / TEMPERATURE

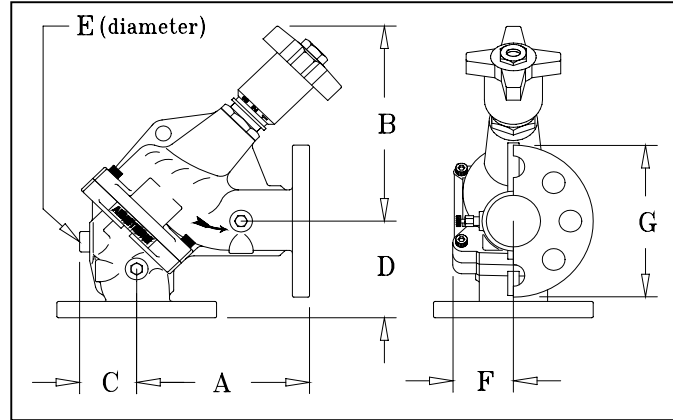


Note: For temperatures from 230°F to 300°F (110°C to 150°C) use Viton Elastomer.

STRAIGHT - MODEL CBV-FS



ANGLE - MODEL CBV-FA



125 psi DIMENSIONS - inches (mm)								
Connection Size	2.5"	3"	4"	5"	6"	8"	10"	12"
A	7.38 (187)	8.19 (208)	9.63 (245)	12.00 (305)	14.13 (359)	19.00 (483)	20.33 (516)	24.07 (611)
B (Fully Open)	9.62 (244)	10.50 (267)	10.56 (268)	13.06 (332)	13.75 (349)	24.62 (625)	26.50 (673)	28.43 (722)
C	2.75 (70)	2.44 (62)	3.00 (76)	3.63 (92)	4.44 (113)	5.69 (145)	6.56 (167)	7.63 (194)
D	4.63 (118)	3.88 (99)	4.38 (111)	5.50 (140)	6.63 (168)	9.19 (233)	9.78 (248)	14.05 (357)
E	1.00 (25)	1.00 (25)	1.25 (32)	1.25 (32)	2.00 (51)	2.25 (57)	2.25 (57)	2.25 (57)
F	2.56 (65)	3.00 (76)	3.44 (87)	4.94 (125)	5.88 (149)	7.88 (200)	9.47 (241)	12.63 (321)
G	7.00 (178)	7.50 (191)	9.00 (229)	10.00 (254)	11.00 (279)	13.50 (343)	16.00 (406)	19.00 (483)
S	12.00 (305)	12.00 (305)	14.00 (356)	17.50 (445)	20.69 (526)	28.00 (711)	30.01 (762)	38.09 (967)
Weight lbs (kg)	33 (15)	39 (17.7)	59 (26.8)	108 (49)	167 (75.7)	344 (156)	603 (273)	1006 (456)

250 psi DIMENSIONS - inches (mm)			
Connection Size	8"	10"	12"
A	19.11 (485)	20.33 (516)	24.05 (611)
B (Fully Open)	24.62 (625)	26.50 (673)	28.43 (722)
C	5.69 (145)	6.56 (167)	7.63 (194)
D	9.69 (246)	9.80 (249)	14.03 (356)
E	2.25 (57)	2.25 (57)	2.25 (57)
F	7.88 (200)	9.47 (241)	12.63 (321)
G	15.00 (380)	17.50 (445)	20.50 (521)
S	28.20 (716)	30.01 (762)	38.05 (966)
Weight lbs (kg)	396 (180)	712 (323.6)	1163 (528.6)

Design Data CBV Straight and Angle		
Connection Size	Stem: No. of 360° turns	Max. Working Temp
2.5	5	Standard Material 230°F (110°C)
3	5	
4	6	
5	9	
6	10	
8	12	Viton Material 300°F (150°C)
10	18	
12	28	

Dimensional Tolerance up to +/- 0.125" (3mm)

Armstrong Pumps Inc.
93 East Avenue
North Tonawanda, New York
U.S.A. 14120-6594
Tel: (716) 693-8813
Fax: (716) 693-8970

S.A. Armstrong Limited
23 Bertrand Avenue
Toronto, Ontario
Canada, M1L 2P3
Tel: (416) 755-2291
Fax: (416) 759-9101



Armstrong Pumps Limited
Peartree Road, Stanway
Colchester, Essex
United Kingdom, C03 0LP
Tel: 01206-579491
Fax: 01206-760532

Armstrong Darling
2200 Place Transcanadienne
Montreal, Quebec
Canada, H9P 2X5
Tel: (514) 421-2424
Fax: (514) 421-2436

Visit us at www.armstrongpumps.com

© S.A. Armstrong Limited 2002

