



Figure # 5592F

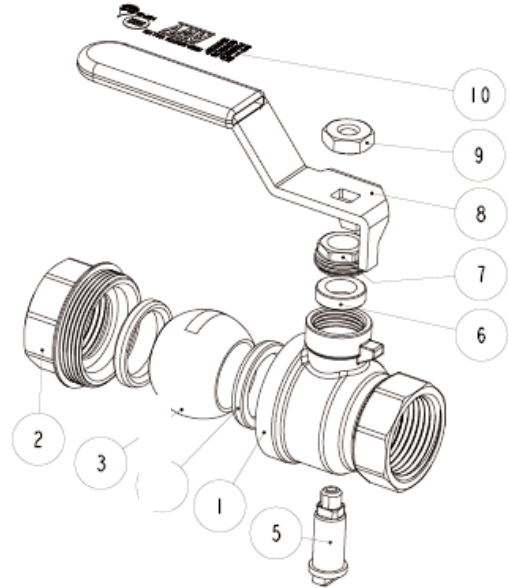
Brass Ball Valve (1/2"-2")

Product Features

- 150#WSP / 600# WOG
- Forged Brass Body
- Full Port
- Adjustable Packing
- Threaded Ends
- Blowout Proof Stem
- NSF 1/2"-2"
- CSA 1/2 PSI 1/2"-2"



Certified to
ANSI/NSF 61



Pressure/Temperature Ratings	
600 PSI from 15F to 160F	150 PSI MAX at 366F

Materials & Specifications

Item	Description	Material	Specification
1	Body	Brass	B283 C37700
2	End Piece	Brass	B283 C37700
3	Ball	Brass/Chrome Plated	B283 C37700
4	Seat	PTFE	PTFE
5	Stem	Brass	B124 C37700
6	Packing	PTFE	PTFE
7	Packing Nut	Brass	B124 C37700
8	Handle	Zinc plated steel	A36 Dacromet
9	Handle Nut	Zinc plated steel	A36 Dacromet
10	I.D. Information	N/A	N/A

Dimensions, Weights (inches-lbs.) & Valve Data

Size	1/2	3/4	1	1-1/4	1-1/2	2
A	1.92	2.20	2.57	3.07	3.59	4.23
C	.45	.47	.57	.63	.67	.75
H	2.11	2.26	2.6	2.85	3.23	3.52
L	3.6	3.6	4.98	4.98	5.59	5.59
P	.59	.79	.98	1.26	1.57	1.97
Cv	15	30	60	110	130	360
Wt.- lbs.	.45	.62	1	1.6	2.3	3.6

